

Features

- 10.1" FHD Industrial Rugged Tablet with P-Cap Touch
- Intel Celeron N50/N200 Processor
- Dual Battery with Hot Swappable Design
- Onboard 8GB/16GB LPDDR5
- Total IP65 Design
- Wide Ranged Operating Temperature & Light Weight Design
- Support Multi-Peripherals and Accessories

Specifications

System	
CPU	Intel Alder Lake-N Processor N50 Intel Alder Lake-N Processor N200
System Chipset	SoC
BIOS	AMI UEFI
System Memory	Onboard LPDDR5 8GB(default)/16GB(option)

IO Ports	
USB	1 x USB 3.0 Type A 1 x USB Type-C (with display port & power delivery)
Audio	1 x Audio jack (line-out/mic-in combo) 1 x 2W speaker 1 x Mic
Display	1 x USB Type-C (with display port & power delivery)
SIM Slot	1 x Dual-Nano SIM slot for 4G LTE
Cameras	2 MP front camera (Front camera can have Windows hello camera for option) 8 MP auto-focus rear camera with flash light
Buttons	6 x Buttons (Windows, power, function key 1, function key 2, volume up, volume down) (programmable)
Battery	2 x 11.1 V/ 2100 mAh hot-swappable Li-Ion battery
Power	DC 19V Input via DC Jack or USB Type-C power delivery 20V

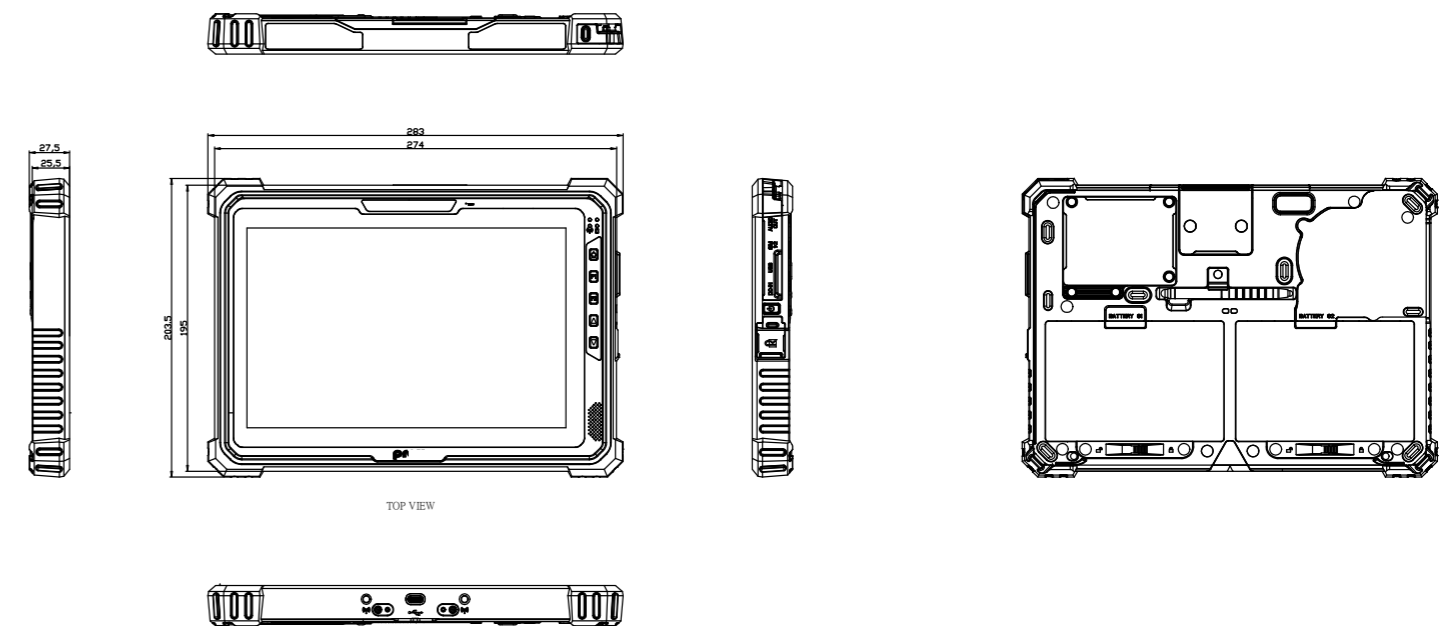
Storage Space	
HDD/SSD	1 x M.2 Nvme SSD (128GB for default, support up to 1TB)

Expansion	
Expansion slot	Expansion slot 1 for 3D camera, card reader, fingerprint reader, etc. (option) Expansion Slot 2 for 2D barcode reader, COM port, USB 3.0 Type A, microSD card, LAN port (option)

Communicatons	
WLAN	802.11 a/b/g/n/ac/ax (Wi-Fi 6E) + Bluetooth 5.3
GNSS	GPS, GLONASS (option)
WWAN	4G LTE or 5G (option)

Others	
TPM	TPM2.0
Stylus	Yes
Vibrator	Yes
Sensor	G-Sensor, ambient light sensor
LED Indicator	1 x Tri-color LED (green/ yellow/ red) for power/ battery status 1 x Green LED for WiFi/ LTE/ 5G connection indication
Accessories	Hand strap (option) 360° rotatable hand strap (option) Shoulder strap (option) 9H screen protector (option)

Dimensions



Display	
Display type	10.1" TFT-LCD
Max. resolution	1920 x 1200
Luminance(cd/m²)	500
Backlight lifetime(hrs)	30,000 hrs

Touch Screen	
Type	Projected Capacitive, with Anti-Fingerprint and Corning Gorilla Glass (Support Finger/ Stylus/ Glove/ Raindrop)
Interface	USB
Light Transmission(%)	Around 90%

Power	
Power Input	DC 19V Input via DC Jack or USB Type-C power delivery 20V

Mechanical	
Construction	Magnesium Aluminum Alloy
Ingress protection	Total IP65
Dimensions	274 x 195 x 22 mm (without 4-corner rubber)
Net Weight	1.08 kg (tablet only)

Environmental	
Operating Temperature	-10~50°C (AC) / -10~50°C (battery)
Storage Temperature	-20~60°C
Humidity	10 to 95% @ 40°C, non-condensing
Shock & Vibration	MIL-STD-810H
ESD	Contact +/-8 kV,Air +/- 15 kV
Certification	CE/FCC Class B

Operating System Support	
Windows 10 IoT Enterprise 2021 LTSC / Windows 11 IoT Enterprise	

Ordering Information	
ART-710-N50	10.1" FHD industrial rugged tablet barebone with Intel N50 CPU, onboard 8GB LPDDR5 SDRAM, 128GB M.2 NVMe SSD, 2MF+8MR AF camera, battery x2, 19V DC input with adapter, stylus.
ART-710-N200	10.1" FHD industrial rugged tablet barebone with Intel N200 CPU, onboard 8GB LPDDR5 SDRAM, 128GB M.2 NVMe SSD, 2MF+8MR AF camera, battery x2, 19V DC input with adapter, stylus.

