

## HNS-8605P

L2+ Managed 4 x 10/100/1000 PoE+ & 1 x 10/100/1000 RJ45 Switch

### Description

The HNS-8605P is a Lite Managed Hardened PoE+ Ethernet Switch perfectly suited in harsh environments and an ideal solution to deploy in surveillance systems. The switch is designed to meet the requirements of both power and data transmission over single Ethernet cable to PoE appliances and devices without the need for power outlets, eliminating additional cost of electrical cabling and circuits.

The switch's rugged case and hardened components withstand high degree of vibration, shock and wide operating temperatures from -10°C to 60°C. Switch features 5 10/100/1000Base-T ports to satisfy new and evolving network demands. With 4 IEEE 802.3at compliant ports, each of them allows to supply up to 30W in controllable ways to satisfy the growing demand of high power consuming network devices such as WLAN AP, VoIP phones and IP surveillance cameras, and other powered devices in distances up to 100 meters with Cat.5e cables or above.

In addition, the switch also facilitates built-in basic software features such as QoS, VLAN tagging, and other network function & management to deliver a rock solid, adjustable network to down port networks, to ensure impressive uptime even in the most challenging network conditions.



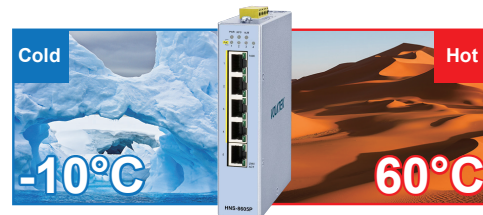
RoHS CE FC



### Features Highlight

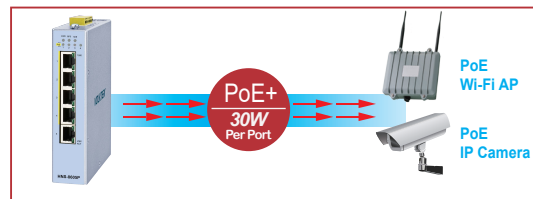
#### Robust Switch Performance

With a hardened metal case, surge and ESD protection, the HNS-8605P provides a high level of immunity against electromagnetic interference and heavy electrical surges, thus facilitating easy deployment in demanding environments. In addition, the HNS-8605P offers high performance switch architecture with five 10/100/1000Base-T ports to meet the requirements of high-bandwidth access in wide operating temperatures.



#### High-Power Budget for PoE Network Devices

High-Power Budget for PoE Network Devices To fulfill the growing demand of high-bandwidth, high-power PoE for network applications and eliminating the cost of electrical cabling and circuits, the HNS-8605P is designed under IEEE 802.3at standard PoE. With 120W PoE power budget capability for whole system, the switch allows simple "plug and play" PoE for various types of high power consuming PoE devices. This makes the HNS-8605P a very convenient solution for applications far away from power outlets satisfying PoE extension applications in much longer distances.



#### Intelligent PoE+ for powered devices

The HNS-8605P is designed with intelligent PoE+ features to utilize power more efficiently. To monitor real-time status of PDs, the switch sends alive-checking packets to PDs. If a PD fails to respond, the switch's PD live check feature detects the failure and reactivates the PD. This reduces management burden and increases system reliability. Using power scheduling mechanism of the switch, administrators can set power on each port to a desired hourly/weekly schedule and can enable or disable the power output to these devices accordingly. Thus consumption of excess power can be limited and energy can be saved.

#### PoE Scheduling



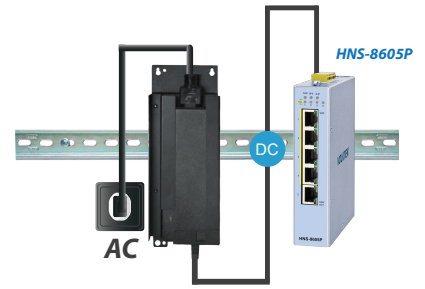
#### PoE Alive-Checking



## Features Highlight

### DIN Rail to Power Adapter (AC to DC) & Terminal Block

The HNS-8605P is ideal solution to prevent the failure of single power circuit, in which provides you options to facilitate the 802.3at High Power PoE usage. Either "DIN-Rail Power Adapter" to convert AC to DC for board operation in an easily and firmly installation with hardened connection to the switch unit OR "Terminal Block" which supports primary (PWR) 48VDC and standby (RPS) 48VDC can be used to powering PoE network. Categorized by its compact design, DIN-Rail Power Adapter can easily fit in smaller infrastructures and is extremely simple in installation. Saving your time and space, this adapter can be easily mounted next to switch unit in surveillance applications that have little space available. The second optional power supply through "Terminal Block" provides a low-cost, simple solution to the problem of an inadvertent failure of the internal power-supply, which can result in the shutdown of switching device, the PoE devices attached to its ports, or an entire network.



### Simplified Installation w/ Compact Size

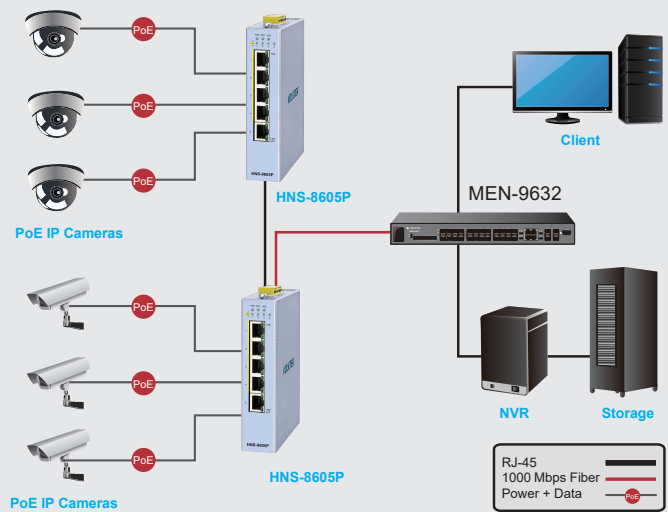
The HNS-8605P provides varied choice of deployment locations even in small space, harsh environments, quick and easy installation way by its compact size. Every HNS-8605P is equipped with auto MDI/MDI-X on all ports for simple connection to other switches and hubs. When a compliant device is attached, the power supplied will automatically detect and classify to fit the device. With diagnostic LEDs panel, the HNS-8605P allows you to know switch status and simplify troubleshooting.

### Efficient network monitoring and proactive capability

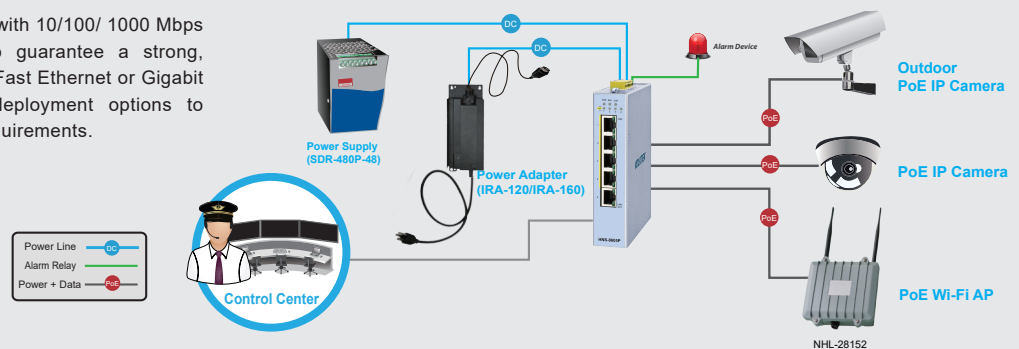
In a network, the issues that impact network performance can be quickly resolved with the HNS-8605P's most accepted and enhanced traffic management, monitoring and analysis protocols. SNMP allows end users to centrally manage different levels in a network, QoS, IGMP gives the capability to monitor the network performance. HNS-8605P can help to ensure a reliable network by identifying connectivity and performance issues and isolating the problem remotely on individual switches. This avoids high OPEX and provides administrators the control they need to manage a healthy and efficient network.

## Applications

The HNS-8605P combines high-power PoE+, robust performance for surveillance systems in harsh environments. With its compact size, highly reliable and secure features ensure continuous operations in some special requirements for transportation, factory and outdoor places where high vibration degree, shock and wide range temperatures are present.



The HNS-8605P is compatible with 10/100/ 1000 Mbps through RJ45 transceivers to guarantee a strong, stable connection of Ethernet, Fast Ethernet or Gigabit Ethernet, providing flexible deployment options to satisfy industrial networking requirements.



## Specifications

Standards	
IEEE 802.3	10BASE-T
IEEE 802.3u	100BASE-TX
IEEE 802.3ab	1000BASE-T
IEEE 802.3x	Flow Control
IEEE 802.3ad	Link Aggregation
IEEE 802.1ab	LLDP
IEEE 802.1D	STP
IEEE 802.1w	RSTP
IEEE 802.1p	QoS Prioritization
IEEE 802.1Q	VLAN Tagging
IEEE 802.1X	Port Authentication
IEEE 802.3af	Power over Ethernet
IEEE 802.3at	Power over Ethernet Plus
Interface	
Ports	4 x 10/100/1000Base-T (PoE RJ45) 1 x 10/100/1000BASE-T (RJ45)
DIP Switch	Primary/Redundant Power Voltage Drop Alarm setting
LED Panel	PWR, RPS, ALM, PoE, 1000, LNK/ACT
Features	
Performance	Jumbo frame Size: 10KB MAC Table Entries: 8K Active VLAN: 256 Switch Fabric: 10Gbps
Management	CLI, Telnet/SSH, HTTP, SNMP v1/v2c/v3, SNMP Trap, MVLAN, Firmware Upgradable, Configuration Backup/Restore, Syslog, SNMP, LLDP, DHCP Client/Relay/Option 82, e-mail Alarm, Server Control, Mirroring, DDM, SFP Info, Auto-Provisioning, EEE, RMON Statistics
Reliability	STP/RSTP, Dual Homing, LACP, Static Trunk, Code Redundancy
VLAN	IEEE 802.1Q, Port-based VLAN, MAC-based VLAN, QinQ
Traffic Control	IGMP Snooping/Throttling, QoS, Flow Control, Rate Limit, Storm Control, Traffic Monitor, Port Isolation, Loop Detection
Security	ACL, SSH, Port-based 802.1x, Port Security, MAC Search, Static MAC, DHCP Snooping, DHCP Sever Screening, ARP Inspection, BPDU Guard/Filter, Root Guard, Managed Host
PoE/PoE+	Scheduling, PD Alive Check, PoE Power On/OFF, Feeding Power Budget Control
Power	
Input Voltage	Primary inputs: 48~57V DC Redundant inputs: 48~57V DC
Power Consumption	10W PoE Power Budget: 120W
Alarm Relay	One relay output, 1 A @ 24V DC
Mechanical and Environment	
Housing	Metal Case
Mounting	DIN-Rail
Operating Temperature	-10°C~60°C (14°F~140°F)
Storage Temperature	-40°C~85°C (-40~185°F)
Operating Humidity	5 to 95% RH (non-condensing)
Storage Humidity	5 to 95% RH (non-condensing)
Weight	500 g (1.1 lb)
Dimension (WxHxD)	31 x 136 x 105 mm (1.22 x 5.36 x 4.13 in)
Certifications	
EMI	FCC Part 15 Subpart B Class A EN 55011 class A EN 55032 class A EN 61000-6-4
EMS	EN 61000-6-2 EN 55024 EN 61000-4-2 (ESD) EN 61000-4-3 (RS) EN 61000-4-4 (Burst) EN 61000-4-5 (Surge) EN 61000-4-6 (CS) EN 61000-4-8 (PFMF)
Shock	IEC 60068-2-27
Freefall	IEC 60068-2-32
Vibration	IEC 60068-2-6
Ordering Information	
HNS-8605P	L2+ Managed 4 x 10/100/1000 PoE+ & 1 x 10/100/1000 RJ45 Industrial Switch
HNS-8615P	L2+ Managed 4 x 10/100/1000 PoE+ & 1 x 10/100/1000 RJ45 & 1 x FX/GbE SFP Industrial Switch
Optional Accessories	
Power Supply	IRA-160: 160W, 52V, Industrial Grade Power Adapter -30°C~60°C (-22°F~114°F) for 110V AC input / -30°C~70°C (-22°F~158°F) for 220V AC input)
GBM-104	1000BASE-SX 1.25G, Multi-mode SFP, 500m
GBM-104-10	1000BASE-LX 1.25G, Single mode SFP, 10Km
GBM-123TS	1000BASE-LX, Bi-Di SFP TX:1310/ RX:1550 Single Mode, 10Km
GBM-123RS	1000BASE-LX, Bi-Di SFP TX:1550/ RX:1310 Single Mode, 10Km

**Note :**

\* The SFP communication distance upon the request.

\* Industrial SFP with wide operating temperature from -40°C~85°C (-40°F~185°F) is available upon request.

\* Specifications subject to change without notice.

## Dimension

