

Features

- 10.1" Industrial Compact Size Panel PC
- Intel Celeron Processors
- 1 x 260-pin SO-DIMM DDR4 slot, up to 32GB 3200MHz
- Flat Front Panel Touch Screen with IP66 Front Bezel
- Fanless Design
- DC 9~36V Wide-Ranging Power Input
- Support Expansion via M.2 E-key and B-key slots
- Support TPM 2.0 Hardware Security
- High Brightness 1,000 nits for option

Specifications

System	
CPU	Intel Celeron J6412 (2.0GHz, 1.5MB L2 cache)
System Chipset	SoC
Memory	1 x 260-pin SO-DIMM up to 32GB DDR4 3200MHz
TPM	TPM 2.0

I/O Port	
USB	2 x USB 3.2 Gen2 type A 2 x USB 2.0 ,Type-A
Serial/Parallel	1 x RS-232/422/485 (Default RS-232; select via BIOS)
Audio	1 x Line-out
DP	1 x DP, support DP++
LAN	2 x 2.5GbE LAN RJ-45
Power	1 x 3-pin Terminal Block Connector 1 x 2-pin Power Switch Connector

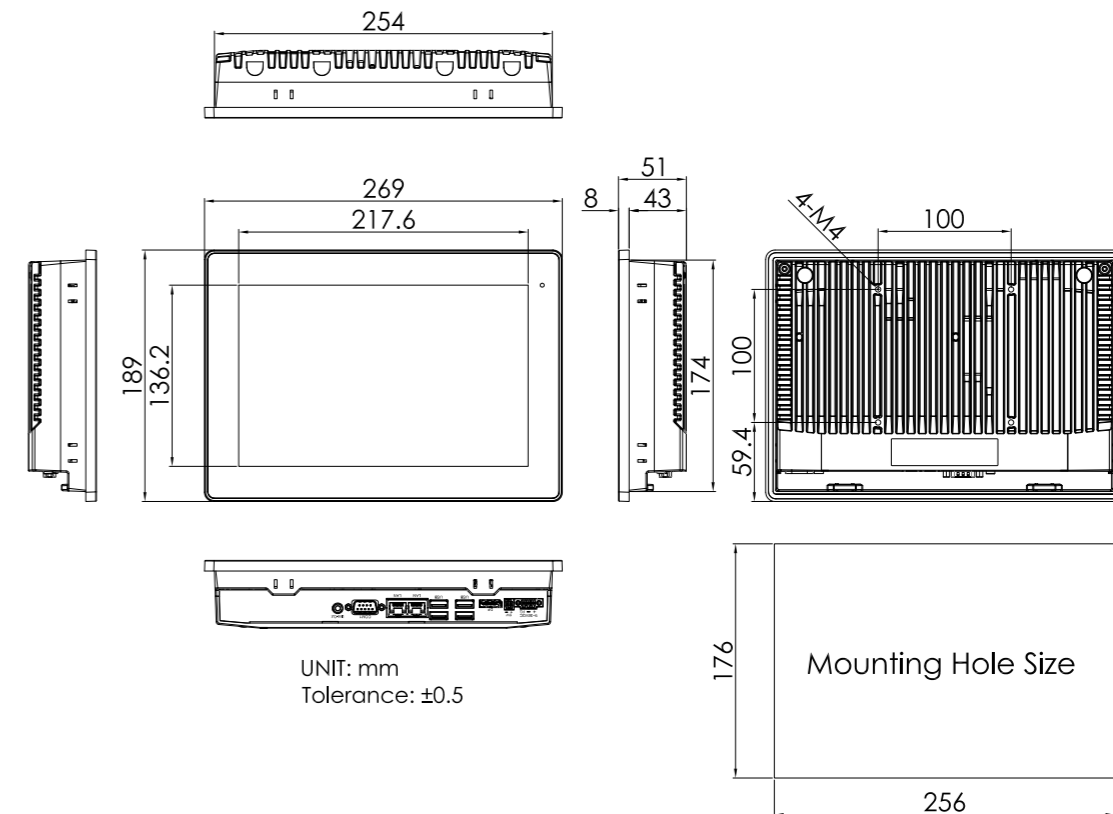
Option	
	4G LTE
	Wi-Fi + Bluetooth
	4 x USB 2.0 type A (TB-528U4)
	4 x USB 2.0 type A + 1 x Mini-PCIe + 1 x SIM slot (TB-528U4ME1)
	1 x COM (RS-232) + 2 x USB 2.0 (TB-528C1U2)
	1 x COM (RS-232) + 2 x USB 2.0 + 1 x Power Button (TB-528C1U2P1)
	2 x COM (RS-232) (TB-528C2)
	2 x COM (RS-232) + 1 x Mini-PCIe slot + 1 x SIM slot (TB-528C2ME1)
	2 x COM (RS-422/485, isolated) (TB-528C2I)
	2 x CAN (TB-528CAN2)
	1 x LAN + 2 x USB 2.0 (TB-528E1U2)
	1 x LAN (45W isolated PoE) + 2 x USB 2.0 type A (TB528E1U2UPOE)
	1 x Backup Battery (10.8V/3150mAh)
	(TB-528 Series or backup battery only be inserted in either one)
	Either high brightness panel or backup battery can be installed in HMI

Storage Space	
Storage	1 x M.2 B-Key 2280 (Support SATA3)

Expansion	
Onboard Expansion	1 x M.2 E-key 1 x M.2 B-Key 1 x Nano SIM slot

Display	Standard	High Brightness Optional
Display Type	10.1" TFT-LCD	10.1" TFT-LCD
Max. Resolution	1280 x 800	1280 x 800
Max. Color	16.7M	16.2M
Luminance (cd/m ²)	350	1000
View Angle	170(H)/170(V)	170(H)/170(V)
Contrast	800:1	1300:1
Backlight Lifetime	30,000 hrs	50,000 hrs

Dimensions



Touch Screen	
Type	Projected Capacitive Touch
Interface	USB
Light Transmission(%)	90%

Power	
Power Input	DC 9~36V
Power Consumption	AUHMI-810BP: 35W

Mechanical	
Construction	Aluminum Die-casting Chassis
Mounting	Panel Mount, VESA 100 x 100
Dimensions (WxHxD)	269 x 189 x 51 mm
IP Rating	IP66 Compliant Front Bezel
Net Weight	2.4 kg

Environmental	
Operating Temperature	0~50°C / -20~60°C (option)
Storage Temperature	-30~70°C
Humidity	10 to 95%@ 40°C, non-condensing
Certificate	CE/FCC Class B

Operating System Support	
	Windows 10 IoT, Windows 11 IoT

Ordering Information	
AUHMI-810BP	10.1" WXGA fanless HMI barebone with Intel Celeron J6412, 1 x DDR4 slot, 1 x M.2 2280 SATA slot, 1 x M.2 E-key slot, 1 x M.2 B-key slot, Projected Capacitive touch, 9~36V DC input with adapter, Aluminum Die-casting chassis.
AUHMI-810BPH	10.1" WXGA high brightness fanless HMI barebone with Intel Celeron J6412, 1 x DDR4 slot, 1 x M.2 2280 SATA slot, 1 x M.2 E key slot, 1 x M.2 B key slot, Projected Capacitive touch, 9~36V DC input with adapter, Aluminum Die-casting chassis.