

Features

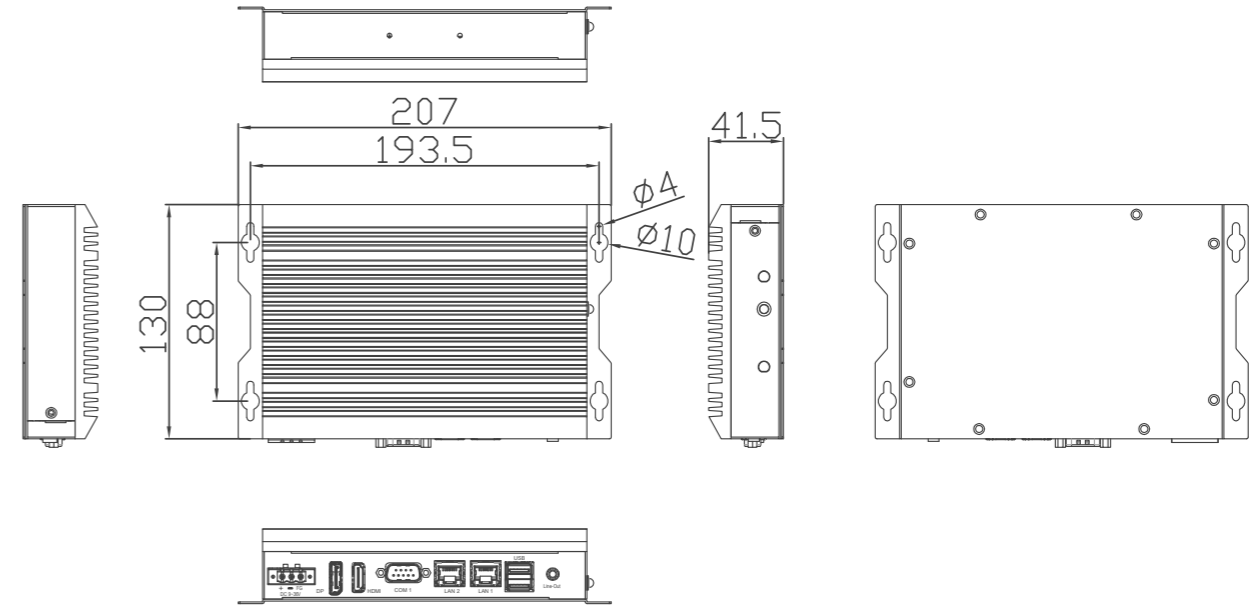
- Intel Elkhart Lake J6412 Processor
- 1 x 260-pin SO-DIMM up to 32GB DDR4
- Support 1 x GbE LAN and 1 x 2.5GbE LAN
- Support 2 x Expansion Bus
- Wide Range DC 9~36V Input

Specifications

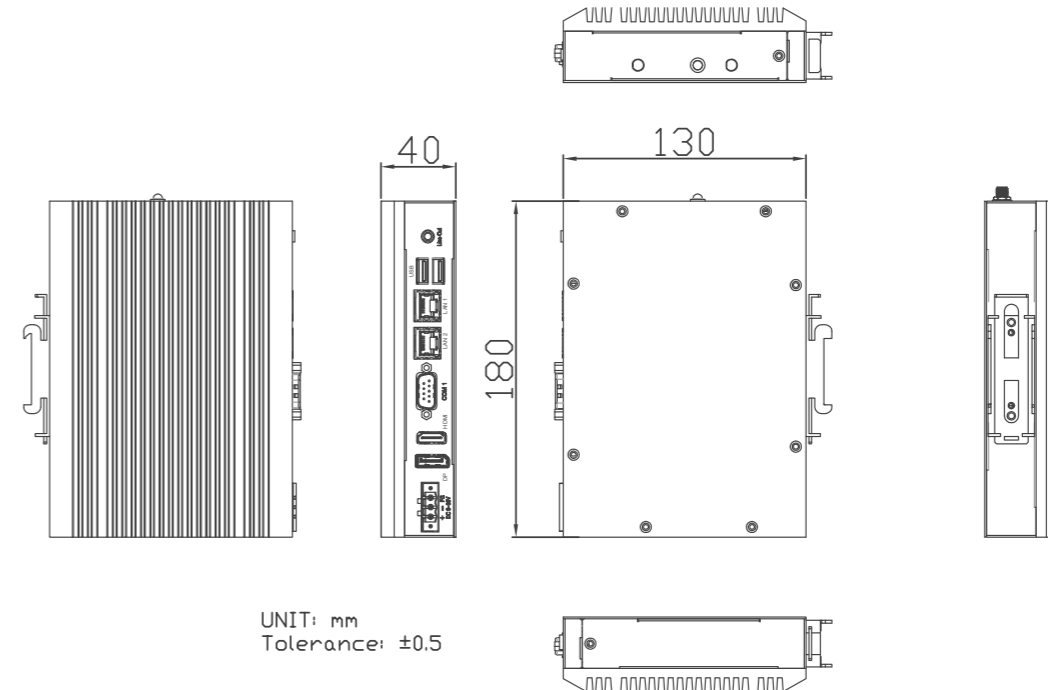
System	
CPU	Intel Celeron J6412 (default) Intel Atom x6425E (option)
System Chipset	SoC
System Memory	1 x 260-pin SO-DIMM up to 32GB DDR4
I/O Interface	
USB	2 x USB 3.2 Gen1 type A
Serial/Parallel	1 x RS-232/422/485, DB-9 (default RS-232)
Audio	1 x Line-out
Display	1 x HDMI 1 x DP
LAN	1 x 2.5GbE LAN, RJ-45 1 x GbE LAN, RJ-45
Power	1 x 3-pin DC Power Input, Terminal Block 1 x Power Button
Storage Space	
HDD	1 x M.2 B Key 2242/2280 for SSD(SATA) (default) 1 x MO-297 SATA (option)
Expansion	
On Board Expansion	1 x Full Size Mini-PCIe slot for 4G LTE 1 x M.2 E-Key 2230 for WiFi/BT module (USB2.0, PCIe3.0x1)
Power	
Power Input	DC 9~36V
Mechanical	
Construction	Aluminum Heatsink and Steel Chassis
Mounting	Wall Mount (default) DIN Rail-Book Mount (optional)
Dimensions	207 x 130 x 41.5 mm 180 x 130 x 40 mm (Book Mount)
Net Weight	1.0 kg
Environmental	
Operating Temperature	0~50°C (optional WT1 -20~60°C/ WT2 -20~70°C)
Storage Temperature	-40~85°C
Storage Humidity	10 to 90%@ 40°C, non-condensing
Certificate	Meet CE/FCC Class A
Operating System Support	
	Windows 10 IoT, Windows 11 IoT, Ubuntu 18.04

Dimensions

ACS-2310A Wall Mount



ACS-2310A DIN Rail



UNIT: mm
Tolerance: ±0.5

Ordering Information

ACS-2310A (barebone)

Fanless Box PC, Intel Celeron J6412 CPU, 1 x SO-DIMM DDR4 slot up to 32GB, 1 x M.2 B-Key for 2242/2280 SATA SSD, 1 x DP, 1 x HDMI, 1 x Mini-PCIe slot Full size for 4G LTE, 1 x M.2 E-Key for WiFi/BT, 9~36V DC power input with adaptor, Steel Chassis with Aluminum Heatsink.